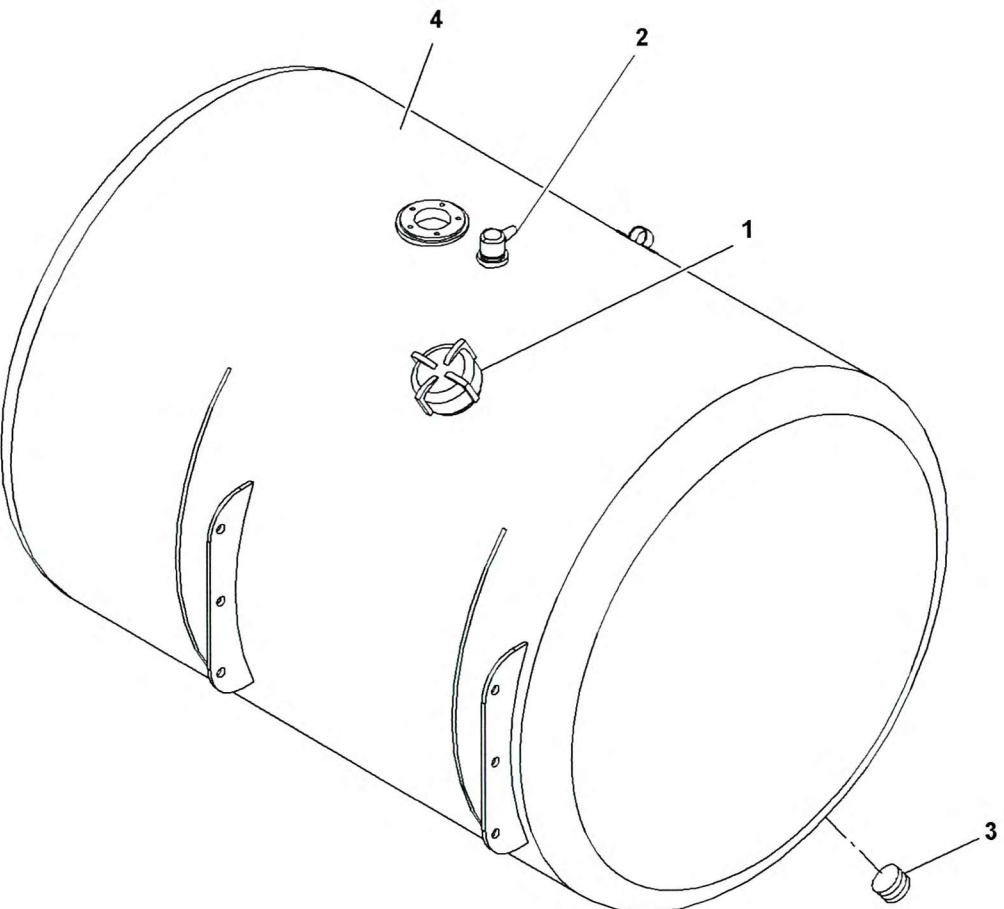


**Manitowoc Crane Group**



7880100116

(SHEET 1 OF 1)

Page 638